

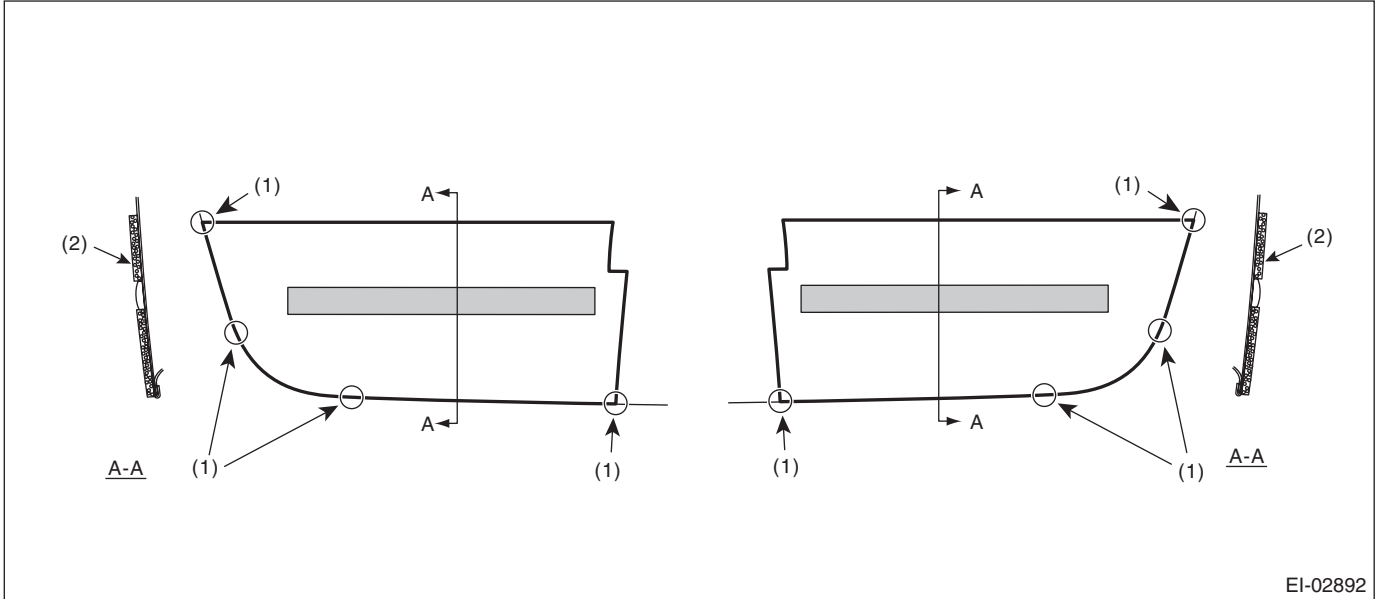
33.Ornament

A: INSTALLATION

1. LETTER MARK

Adhere the letter mark according to the following position.

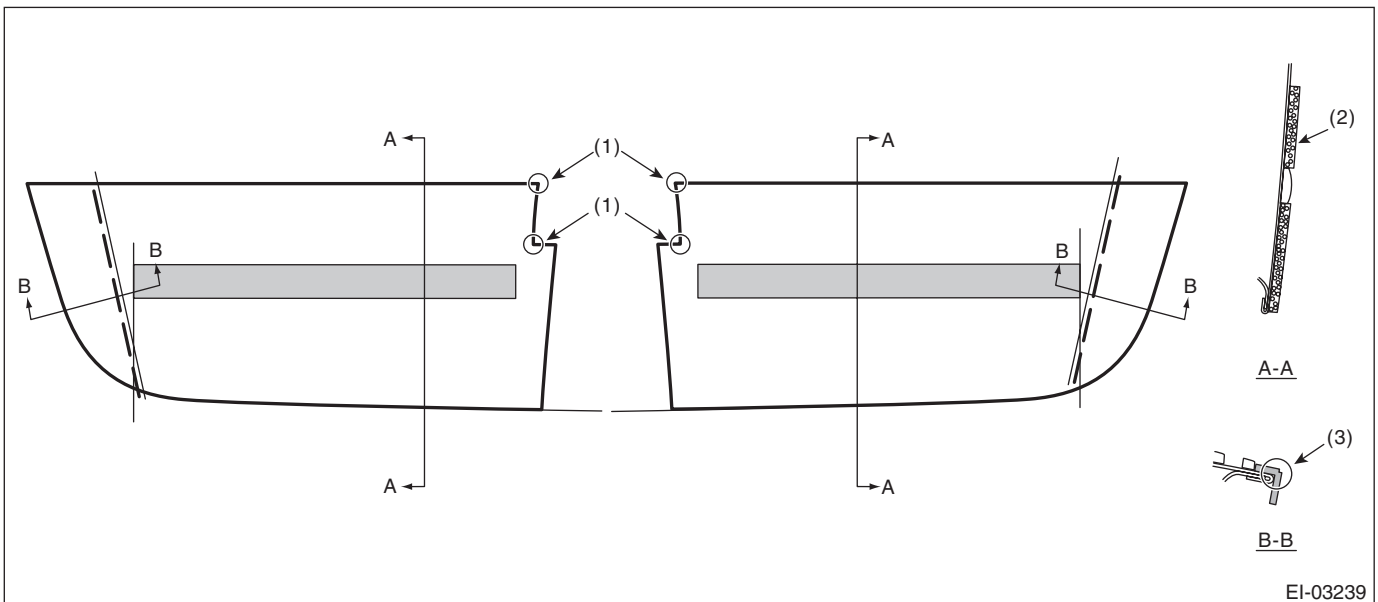
- 5 door model



EI-02892

- (1) Match the end of the application tape to the end of the rear gate panel.
- (2) Application tape

- 4 door model



EI-03239

- (1) Match the end of the application tape to the end of the trunk lid garnish.
- (2) Application tape
- (3) Bend the slit of the application tape to fit along the end of the trunk panel.

Ornament

EXTERIOR/INTERIOR TRIM

EXTERIOR BODY PANELS

EB

	Page
1. General Description	2
2. Front Hood	15
3. Front Fender	17
4. Front Performance Stay	18
5. Front Door	19
6. Front Sealing Cover	21
7. Rear Door	22
8. Rear Sealing Cover	24
9. Door Sash Tape	25
10. Rear Gate	30
11. Trunk Lid	33
12. Protector Tape	35